

ADC12b017kS180nm

12 Bit 17 kS/s Cyclic ADC

Key Parameters

- Resolution: 12 bit
- Conversion rate: up to 17 kS/s
- Power consumption: 50 μ W @ 2.4 V
- Integral non-linearity: +/- 0.5 LSB
- Supply voltage: 2.4 V – 3.6 V
- Operation clock: up to 200kHz
- Input voltage range: 1.9 V
- Operating temperature -40 – 125°C

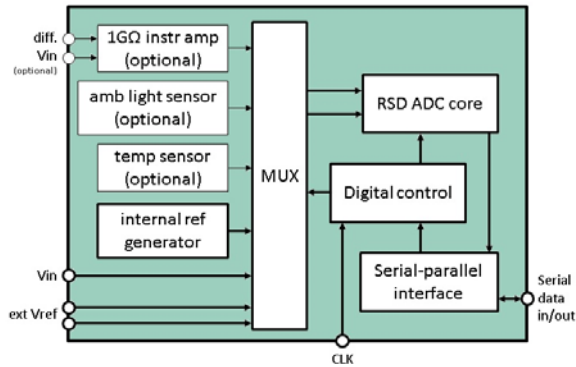


Fig. 1: IP-Level Block Diagram

General Description

This cyclic ADC, based on redundant-signed-digit (RSD) conversion, is optimized for power efficiency and high accuracy. It provides 12 bit resolution for sampling frequencies up to 17 kS/s for continuous input signals.

This **single ended** ADC is designed to convert input signals with input swing of 1.9 V. The resolution is configurable (12 bit, 16 bit). Reference voltages can be generated on-chip or applied from outside.

The ADC IP includes serial-to-parallel interface (optional), reference voltage generation and buffers and high-precision trimmed bandgap reference (optional).

Different on-chip sensors (ambient light, temperature) and sensor frontends (instrumentation amplifier) are available.

The ADC is **silicon evaluated** using the **XFAB XH018** process. Measurement results and samples are available.

Fraunhofer IIS provides a **detailed documentation** and **support** for the IP integration.

Modifications, extensions and technology ports of the IP are available on request.

Benefits

- Accelerated design service
- Design safety (first-time-right)
- Customer-specific flexible IPs
- Automated DfR and verification
- Seamless technology migration

Deliverables

- GDSII data
- Simulation model
- Documentation
- Integration and customizing support

CONTACT

Fraunhofer IIS

mixed-signal-ic-design@iis.fraunhofer.de

V3 (Q1/2016)